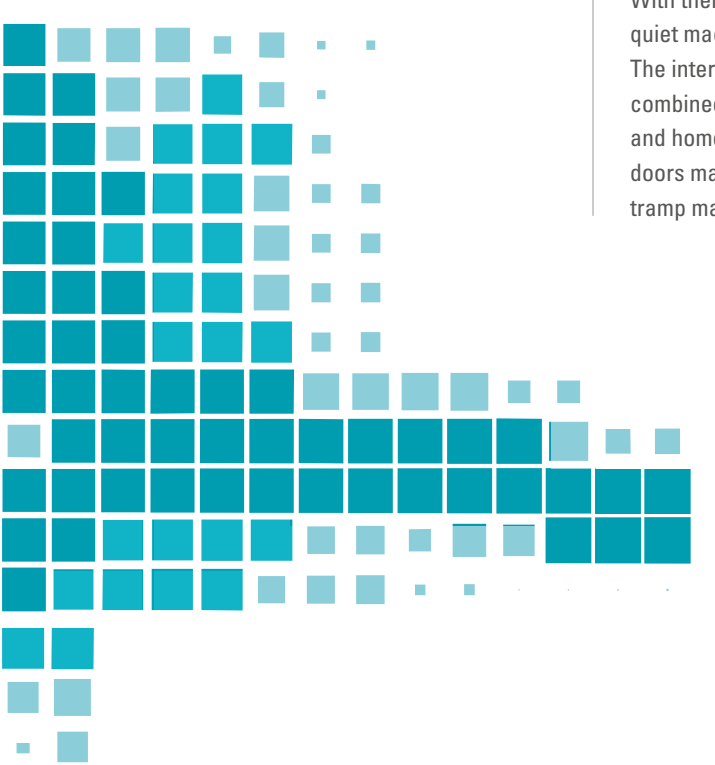


The double-shaft pre shredders are the most powerful

Robust and powerful. The double-shaft pre shredder can shred nearly any material. The HiTorc-Drive saves energy, the extraneous material detection system reduces downtimes, and the easily replaceable wearing parts keep maintenance and servicing costs to a minimum.

Resilient power

The machine housing is a thick-walled, ribbed construction with optimal functional machine geometry for powerful and trouble-free operation with a maximum service life. This means maximum and continuous availability over many years at the highest level.



With their large flywheel mass, the two solid steel rotors ensure quiet machine running yet have a high cut-through power. The interplay of the two rotors with the same counter-knife combined with the screen rods produces a high separation quality and homogeneous output. The two large hydraulic maintenance doors make it easy to change wearing parts and allow taking out tramp material even if the hopper is completely full.



Input material

- Municipal- and commercial solid waste
- Production waste
- Wood waste
- Sometimes containing extraneous materials (stones, metal parts, etc.)
- Usually inhomogeneous in size and material



Output material

- Particle size: < 250 mm
- Homogeneous output
- Optimal preparation for re shredding



The latest Vecoplan technology

The VVZ uses the best Vecoplan technologies. The machine is excellently equipped and benefits from many clever details for pre shredding to give you a clear competitive edge.



Patented HiTorc®-Drive

- Frequency-controlled, powerful high torque motor
- Drive power 2 x 155 kW
- Optimised starting current, efficiency and torque
- Start-up with filled machine
- Considerably reduced peak current in the shredding process
- Energy saving of up to 60 % compared to conventional drives
- As gearless drive, virtually maintenance-free and noiseless



Pre shredding rotor

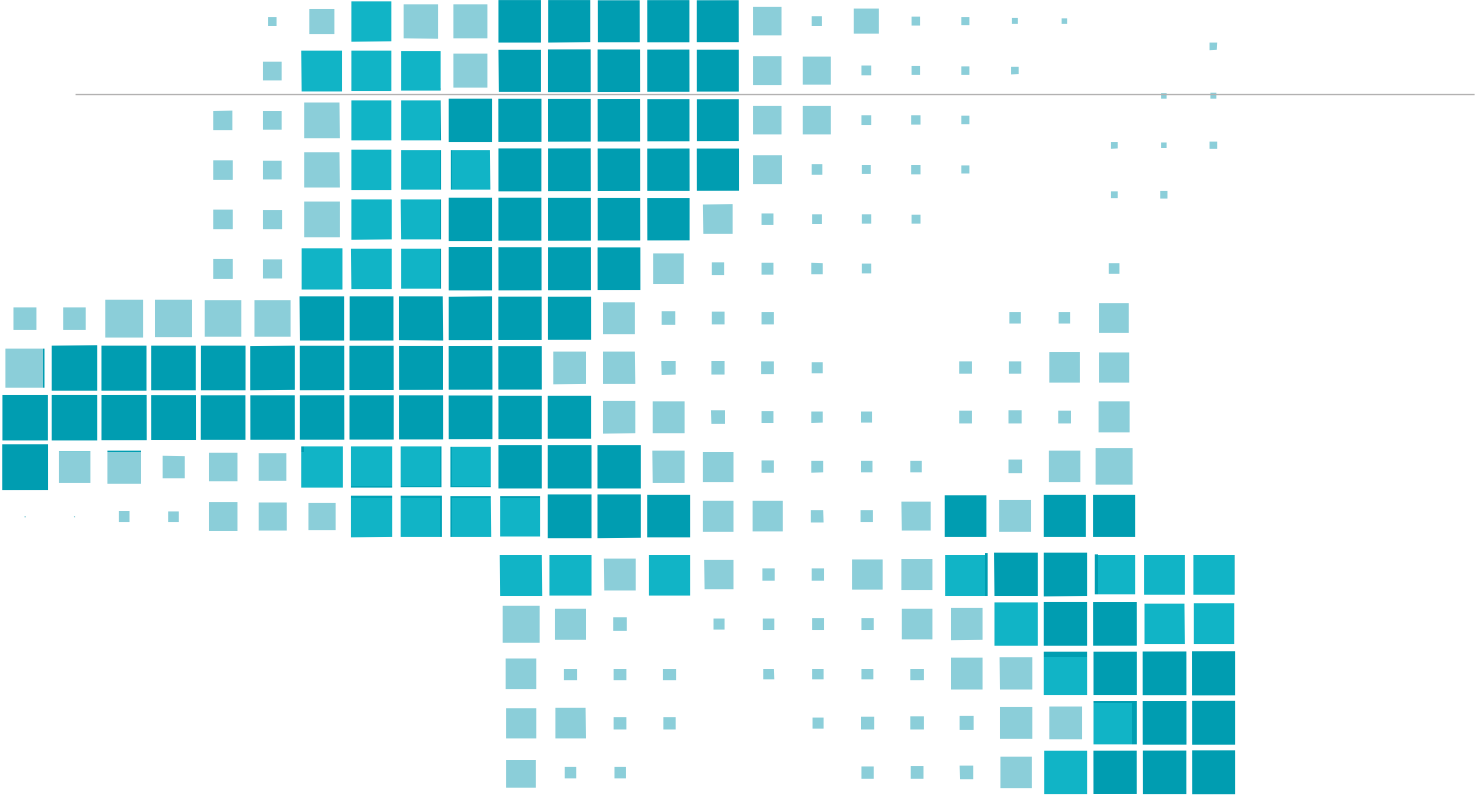
- For maximum cutting performance and high throughput – up to 90 tonnes/hour
- U-rotor 110 x 110 mm
- U-rotor 140 x 140 mm
- Fitted with turning inserts or concave knives
- Each knife can be used up to 4 times
- Long service lives
- Homogeneous output quality



Counter-knives and screen rods

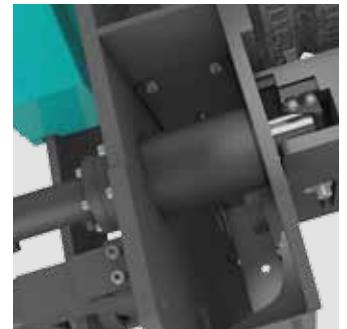
- Multi-part counter-knife
- Hardened or armoured counter-knife
- Multi-part screen rods/screen grids
- Low wear due to armoured rods
- No material winding on rotor thanks to a stripping comb on the maintenance doors





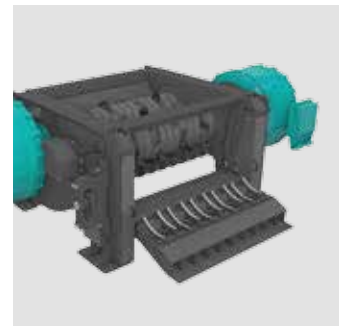
Door locks

- Hydraulic locking of the maintenance doors
- Heavy, hydraulically-operated locking bolts that withstand the highest of pressures



Large maintenance doors

- High accessibility
- Easy-to-change wearing parts
- Easy separation of tramp materials



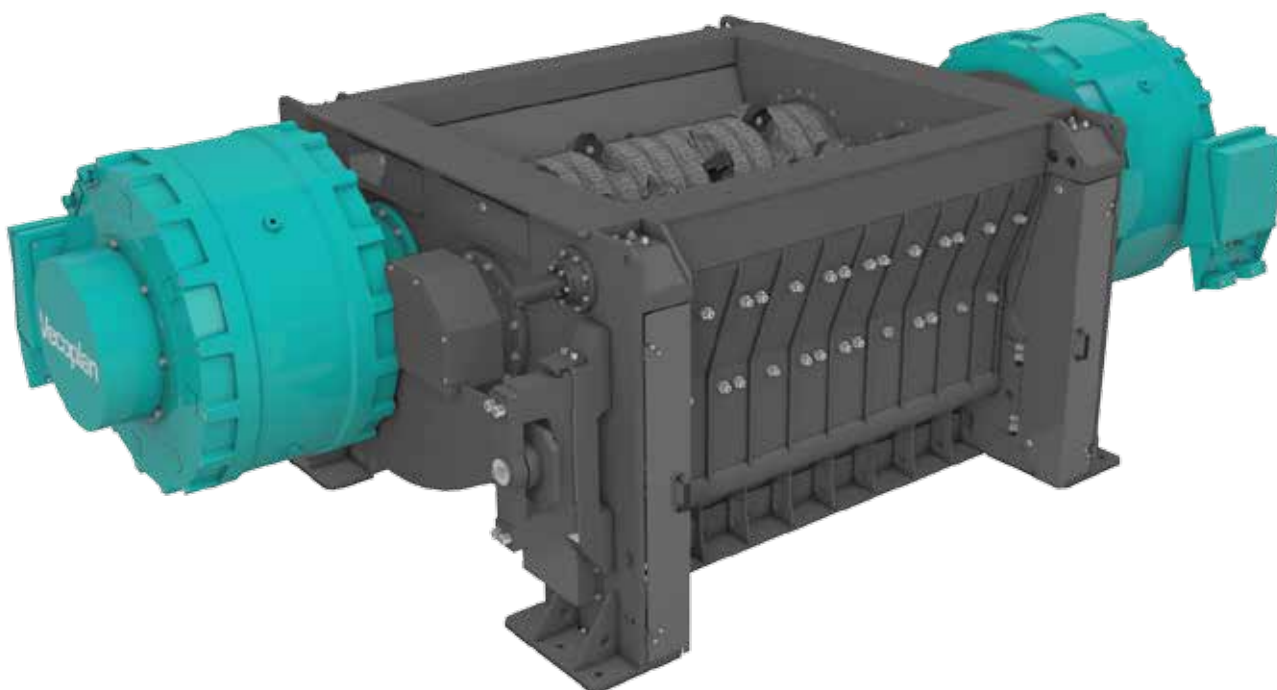
Screen rods extensions

- Adjustable output particle size with screw-on rod extensions
- For example 80 mm narrower outlet

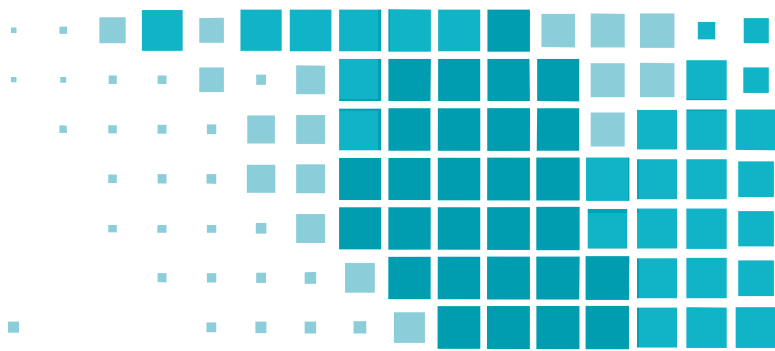


Powerful pre shredding

The Vecoplan double-shaft shredder



The Vecoplan double-shaft shredder is a pre shredder for difficult material and material containing extraneous materials, e. g. municipal- and commercial solid waste, residual production materials or wood waste. With different cutting units, counter-knife variants and the specially adapted screen rod sizes, we can cater for the widest variety of input materials and customer requirements.



Enjoy the benefits!

Count on Vecoplan and the double-shaft shredder for pre shredding. Take advantage of the ongoing benefits of the most robust design, the latest partly patented technology and the combination of pre and re shredding in one line:

- Maximum reliability and uptime
- Cost reduction thanks to energy efficiency and maintenance and service optimisation
- Best value creation through consistently high, high-quality output
- Assistance from the Vecoplan Live Service

Details		VVZ 190 T		VVZ 210 T		VVZ 250 T		VVZ 310 T	
Intake cross-section	mm	1680 x 1900		1700 x 2100		1700 x 2500		1700 x 3100	
Rotor dimension	mm	2 x 640 to 765 x 1900		2 x 720 x 2100		2 x 720 x 2500		2 x 720 x 3100	
Rotor weight	t	3.3		3.7		4.4		5.5	
Drive output	kW	2 x 155		2 x 155		2 x 155		2 x 155	
Rotor speed	rpm	0–85		0–85		0–85		0–85	
Number of counter-knife bars	Units	1		1		1		1	
Weight approx.	t	23		25		28		31	
Shape of knife		110 x 110	140 x 140	110 x 110	140 x 140	110 x 110	140 x 140	110 x 110	140 x 140
Number of knives	Units	2 x 16	2 x 9	2 x 18	2 x 10	2 x 21	2 x 12	2 x 26	2 x 15
Counter-knife	Units	6-part	9-part	6-part	10-part	8-part	12-part	10-part	15-part
Throughput	t/hour	10–40		10–50		10–70		20–90	
External dimensions	cm	496 x 245 x 175		516 x 245 x 175		556 x 245 x 175		616 x 245 x 175	

Vecoplan®

Vecoplan AG
Vor der Bitz 10
56470 Bad Marienberg | Germany
phone +49 2661 62 67-0
fax +49 2661 62 67-70
welcome@vecoplan.de
www.vecoplan.com