



BIOMASS CHIPPERS

VTH 450-600-850

Powerful shredding technology for biomass

Input material



Roundwood
Sawmill waste wood



Slabwood
Bark

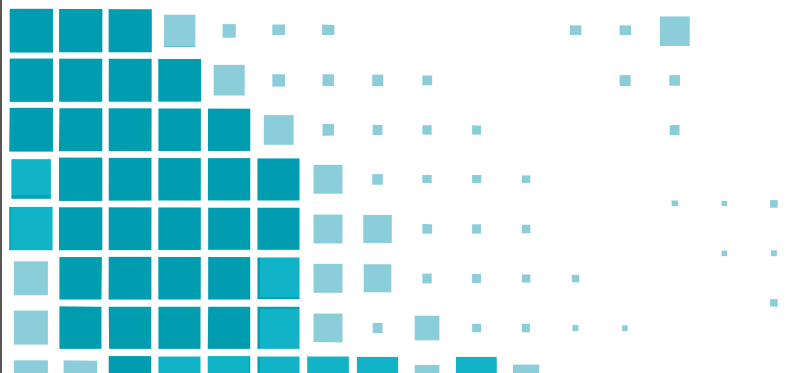


Miscanthus



Brash Bales

Vecoplan biomass chippers are used in chipping plants in the energy and pellet industry and biomass cogeneration plants and boiler feeding systems.



High Throughput Potential



Vecoplan Smart Center

All Vecoplan chippers are equipped with the new digital VSC.Control.

- With the VSC.control, the user can access support for improved productivity and energy-efficiency. The machine parameters are adjusted intuitively.
- The VSC.control can be used on all common mobile devices.

Our power offers a different class

Reliable Quality woodchips Production

Vecoplan biomass chippers are the efficient and economical solution for the production of wood chips for energetic energy recovery. With our power packs you can achieve large material throughputs tailored to your application. Whether large or small biomass chipper tailored to your needs to your plant size.



Advantages of the Vecoplan biomass chippers at a glance:

Knife Change

- Easy and fast changing of knives
- Hydraulic swing-up cover
- Good access to the front of the machine



Screens and Screen-Change

- Swing-screen
- Screen out of hardened steel



Drive

- Belt drive with power V-belt
- Single or dual operation



Infeed

- Big aggressive infeed roller at the top
- Aggressive infeed rollers at the bottom
- Analog distance measurement



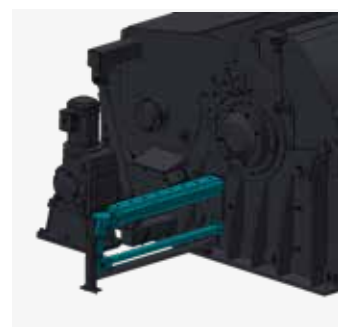
Rotor with special knife fixing

- Large chip pockets
- Divided knives
- Improved handling
- Cutting knife manufactured in hardened steel
- Regrindable



Extendable counter knife Traverse

- Easy to maintain due to hydraulic actuation
- Counter knife made of hardened tool steel
- Regrindable



of performance

Small powerhouse with new interior and exterior

The VTH 450 is the first of the biomass chipper family to be completely redesigned. Particular attention was paid to ergonomics, efficiency and the avoidance of dust. In the course of the development work, the shredder was converted to the new Vecoplan industrial design.

Thanks to the closed side walls of the machine, this offers a dust-tight and completely safe solution for your application.



The advantages of the new development of the Vecoplan biomass chipper VTH 450 at a glance:



Integrated maintenance openings

- For simple and fast maintenance of knife drive modules and the counter
- Due to a special safety concept, there is no intervention during operation



Proven main drive concept

- Long-lasting and low-maintenance belt drive
- Compact housing protects the drive from contamination and offers optimum protection

New drive technology on the upper feed roller

- Upper feed roller operates in a space-saving manner inside the machine
- No undesired escape of wood chips to the outside during the chipping process
- Compact drive built into the feed roller
- Variable intake speed controllable via frequency converter
- Sensor-controlled pneumatic lifting of the swinging arms when feeding larger materials



Ergonomic and easy maintenance access to the rotor

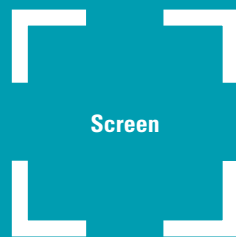
- Lateral manual swinging of the rotor bonnets for a quick change of the chipping knives

Good Reasons – for Vecoplan Biomass Chippers



High throughput

- Less installation space and savings in basement and steel construction compared to competitive machines



Screen

- The screen plates are made of wear-resistant steel HB400 and can be changed effortlessly



Optimized feeding

- The aggressive, extremely wear-resistant spikes of the upper feeding roller and the hardened toothing of the lower feeding rollers ensure an optimized material feeding towards the rotor



Perfect Price-performance Ratio

- Low initial costs combined with variable infeed heights for small and large-sized, bulky input material



Rotor with special knife fixing

- The clamp rotor has a very large chip pocket
- The divided chipping knife, clamping plates and the changable wear bands improve the maintainability and guarantee a long life expectancy of the rotor

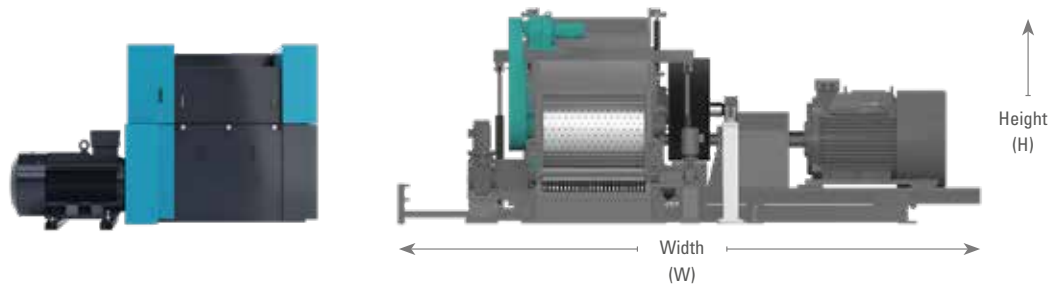


Easy maintenance

- Easy access to chipping and counter-knives and the uncomplicated screen change ensure a quick and easy maintenance



Technical Data



Details		VTH 450	VTH 600	VTH 850
Length (L)	mm	3125	3825	5885
Width (W)	mm	4132	4730	6790
Height (H)	mm	1812	2375	2670
Infeed width	mm	850 / 1050	1050	1250
Infeed height	mm	450	600	850
Infeed rollers	pcs	4	4	4
Rotor diameter	mm	1000	1300	1800
Number of cutting tools	pcs	2-4	2-4	2-4
Variable rotor speed	UpM	ca 600	ca 500	ca 350
Chipping length*	mm	10-50	10-100	10-70
Max. capacity	to/h	30*	60*	100*
Required motor power	kW	1x 160 kW 1x 200 kW 1x 250 kW 1 x 315 kW	1x 315 kW 1x355 kW 2x 200 kW 2x 250 kW 2x 315 kW 1x 630 kW	2x 315 kW 1x 630 kW 1x 710 kW 1x 800 kW 2x 400 kW 1x 1000 kW 2x 500 kW

*Depending on feed material and chip length.
Subject to technical changes / Detailed dimension sheets and load data on request / Status: 09.2021

Vecoplan®

Vecoplan AG
Vor der Bitz 10
56470 Bad Marienberg | Germany
phone +49 2661 62 67-0
fax +49 2661 62 67-70
welcome@vecoplan.com
www.vecoplan.com