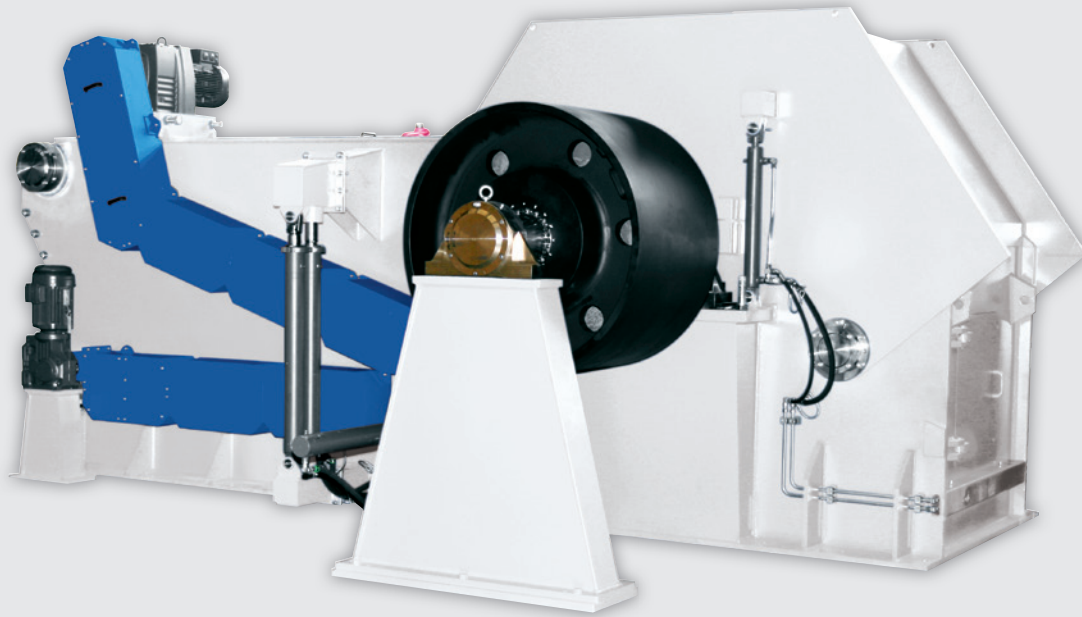


VTH 45

TECHNOLOGY FOR A SUSTAINABLE TOMORROW



Shredding



APPLICATION

For use in the chipboard and paper industry for the creation of high quality wood chips, and in larger biomass power plants for the production of energy wood chips for thermal recovery.

Vecoplan[®]

VTH 45

TECHNOLOGY FOR A SUSTAINABLE TOMORROW

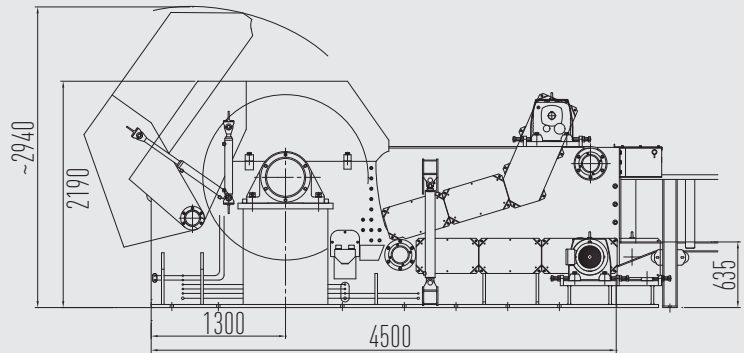


Shredding

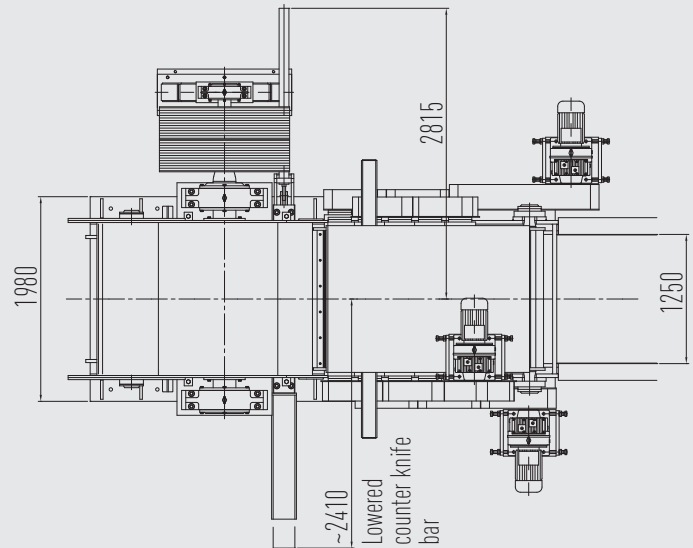
Example

VTH 125/45/11

Side view



Plan view



DETAILS

		VTH 85/45/11	VTH 105/45/11	VTH 125/45/11
Infeed opening	mm	850 x 450	1050 x 450	1250 x 450
Infeed rollers	qty	11	11	11
Rotor diameter	mm	1600	1600	1600
Number of tools	qty	2 - 4	2 - 4	2 - 4
Rotor speed	rpm	~ 350	~ 350	~ 350
Chipping length	mm	25	25	25
Required motor power	kW	500 - 750	630 - 1000	630 - 1000
Capacity	stere/h	120 *	150 *	180 *
Weight approx.	kgs	25000	28000	31000

Subject to technical changes without notice / Detailed dimension drawings and load data available on request / Dated: 04/2012

* Depending on input material and chipping length