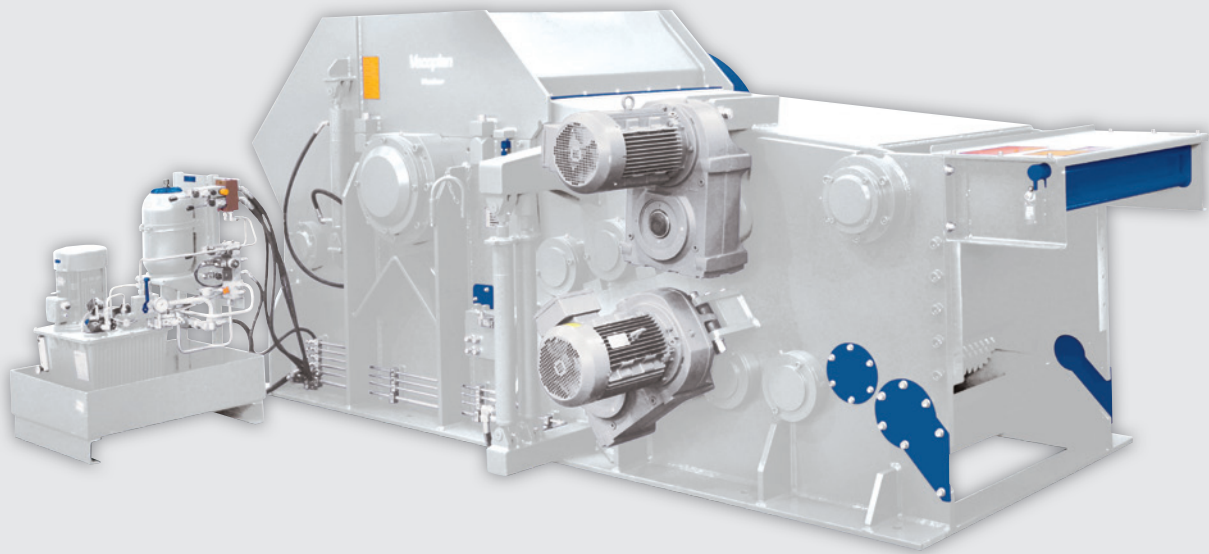


# VTH 35

TECHNOLOGY FOR A SUSTAINABLE TOMORROW



Shredding



## APPLICATION

For use in the chipboard and paper industry for the creation of high quality wood chips, and in larger biomass power plants for the production of energy wood chips for thermal recovery.

**Vecoplan**<sup>®</sup>

# VTH 35

TECHNOLOGY FOR A SUSTAINABLE TOMORROW

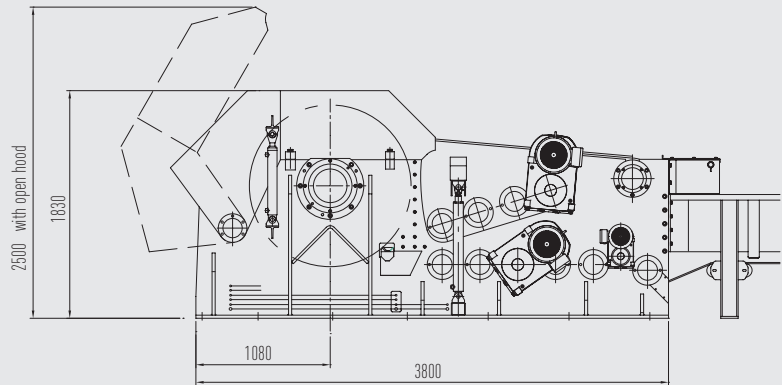


Shredding

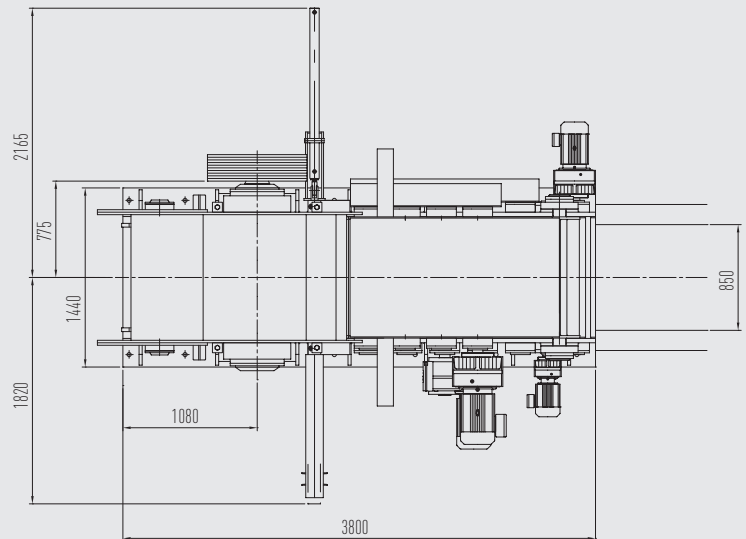
Example

## VTH 85/35/9

Side view



Plan view



## DETAILS

		VTH 85/35/9	VTH 105/35/9	VTH 125/35/9
Infeed opening	mm	850 x 350	1050 x 350	1250 x 350
Infeed rollers	qty	9	9	9
Rotor diameter	mm	1300	1300	1300
Number of tools	qty	2 - 4	2 - 4	2 - 4
Rotor speed	rpm	~ 425	~ 425	~ 425
Chipping length	mm	25	25	25
Required motor power	kW	200 - 315	250 - 450	250 - 450
Capacity	stere/h	90 *	115 *	140 *
Weight approx.	kgs	18000	20000	23000

Subject to technical changes without notice / Detailed dimension drawings and load data available on request / Dated: 04/2012

\* Depending on input material and chipping length