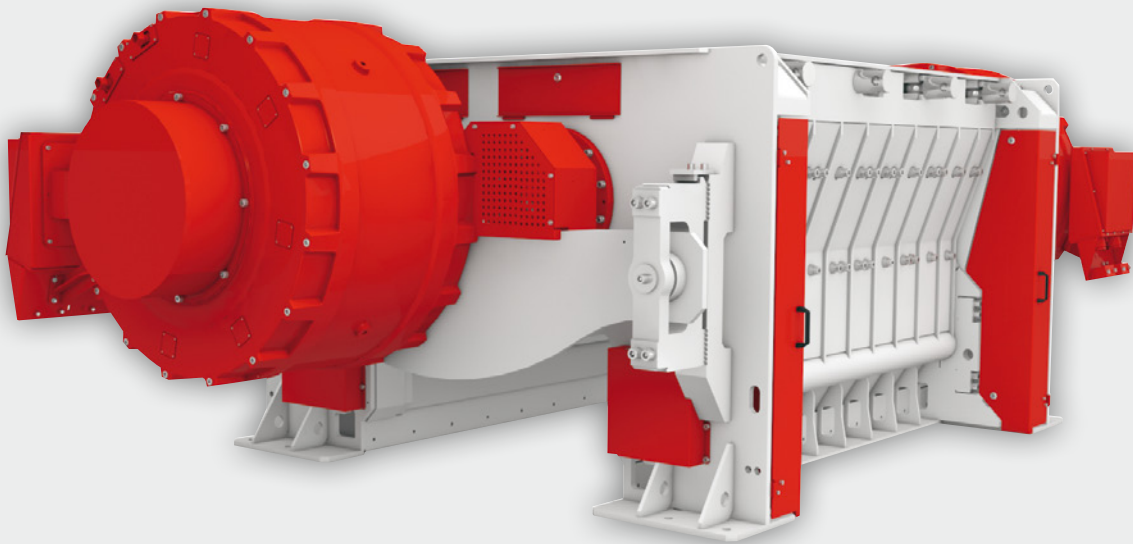


TAIFUN 190

TECHNOLOGY FOR A SUSTAINABLE TOMORROW



Shredding



APPLICATION

For domestic, bulky and commercial waste, used timber and production waste.

Vecoplan[®]

TAIFUN 190

TECHNOLOGY FOR A SUSTAINABLE TOMORROW

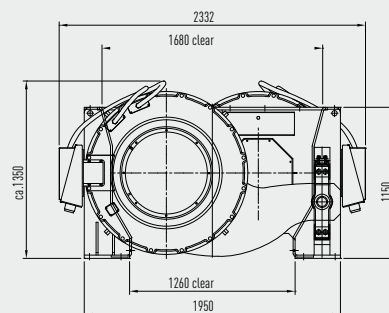
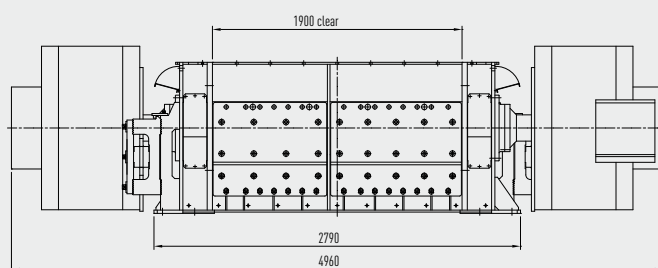


Shredding

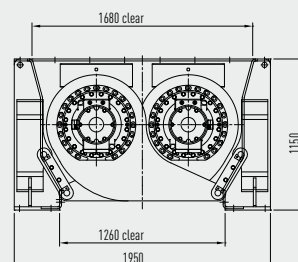
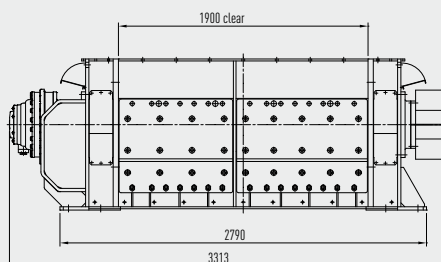
Front view

Side view

Taifun 190 T
(HiTorc drive)



Taifun 190 H
(hydraulic drive)



DETAILS

		Taifun 190 T	Taifun 190 H
Infeed opening	mm	1680 x 1900	
Rotor dimensions	mm	2 x 640 bis 765 x 1900	
Rotor speed	rpm	0 - 85	0 - 45
Motor power	kW	2 x 155	1 x 200
Weight approx.	t	20	16
Overall dimensions	cm	496 x 245 x 167	317 x 245 x 155

Subject to technical changes without notice / Detailed dimension drawings and load data available on request / Dated: 01/2013